

K3-904 In-Line Catch Basin w/ Plastic Riser & Base



K3-904 (K300)
part no. 94635

K3-904 (KS300)
part no. 94636

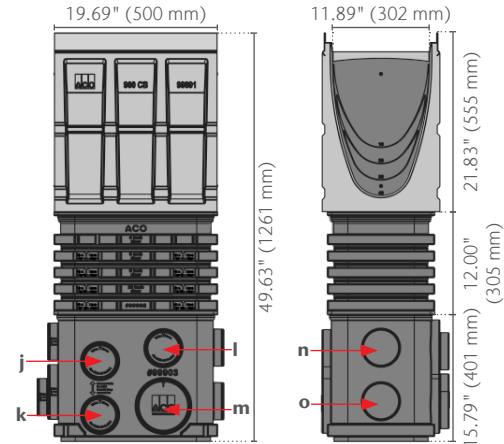
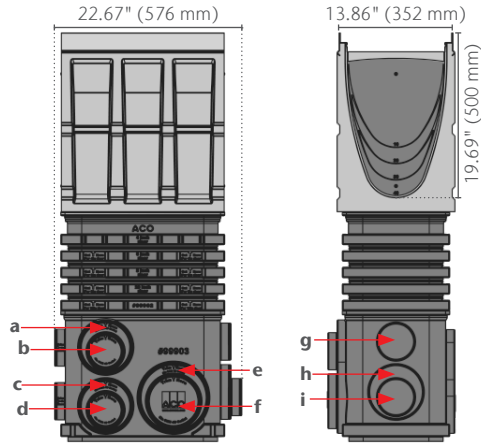


Side

Front

Side

Front



Catch Basin Outlet	Size (SCH 40)	Invert in	GPM	CFS
a	6.00"	41.15	757	1.69
b	4.00"	40.59	338	0.75
c	6.00"	48.28	824	1.84
d	4.00"	47.72	368	0.82
e	8.00"	48.28	1449	3.23
f	6.00"	47.72	819	1.83
g	4.00"	39.65	334	0.74
h	6.00"	46.78	810	1.81
i	4.00"	46.36	363	0.81

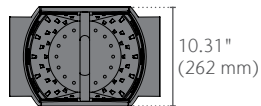
Catch Basin Outlet	Size (SCH 40)	Invert in	GPM	CFS
j	4.00"	41.80	343	0.77
k	4.00"	48.29	370	0.83
l	4.00"	40.22	337	0.75
m	6.00"	48.29	824	1.84
n	4.00"	40.37	337	0.75
o	4.00"	46.87	365	0.81

Note: These are pipe flow rates at specified outlets, NOT channel flow rates. Catch basin flow rates are listed without a trash bucket—using a trash bucket reduces flow.

Trash Bucket

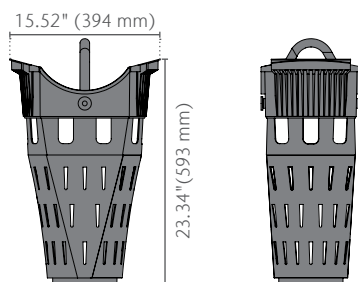
included with the K3-904

Top



Side

Front



Riser

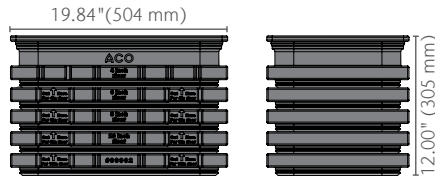
part no. 99902 included with the K3-904

Top



Side

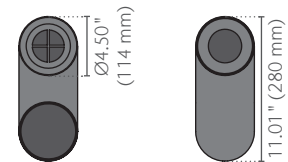
Front



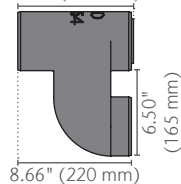
Note: Riser can be cut down in 1.00" (25 mm) increments. Adding a riser will alter the outflow rates of the bases detailed above.

Foul Air Trap (optional)

part no. 90854



8.82" (224 mm)



K3-904 In-Line Catch Basin w/ Plastic Riser & Base



Product Name	Part No.	Volume* gal	Weight lbs
K3-904 In-Line Catch Basin w/ Plastic Riser & Base (K300)	94635	40.2	98.0
K3-904 In-Line Catch Basin w/ Plastic Riser & Base (KS300)	94636	40.2	98.0
Series 600 Plastic Riser	99902	9.8	10.0
Foul Air Trap	90854	-	1.2

*Volume is up to grate seat and without trash bucket.

Specification Summary

General

The catch basin shall be ACO Drain K3-904 Catch Basin, comprising of a top section, trash bucket, riser and base as manufactured by ACO, Inc. or similar approved.

Riser

Riser can be useful between top unit and base. Use of riser is determined by access and local building codes.

Grates

Grates shall be specified. See separate ACO Spec Info grate sheets for details. After removal of grates and QuickLok® bar there shall be uninterrupted access to the catch basin to aid maintenance. Accepts all 0.5 m ACO K300 DrainLok grates or K300 QuickLok grates with optional QuickLok bar.

Installation

The trench drain/catch basin system shall be installed in accordance with the manufacturer's installation instructions and recommendations.

Materials

The catch basin top section shall be manufactured from polymer concrete with the minimum properties as follows:

- Compressive strength: 13,053 psi
- Flexural strength: 3,191 psi
- Water absorption: 0.07%
- Resistant to dilute acid and alkali
- Frost-proof
- Salt-proof

The nominal clear opening shall be 11.89" (302 mm) wide by 19.69" (500 mm) long. Overall width of 13.86" (352 mm) by 22.67" (576 mm) long. Type K3-904 catch basin assembly has overall depth of 49.63" (1261 mm). Polymer concrete top units shall incorporate a cast in a galvanized or stainless steel frame manufactured with drillouts for channel connection and have a wall thickness of at least 0.59" (15 mm). Top units shall have horizontal cast in anchoring key features on the outside to ensure maximum mechanical bond to the surrounding bedding material and pavement surface. The base unit shall be an LLDPE plastic molding and incorporate molded plastic pipe stubs to facilitate pipe connection. The trash bucket shall be a polypropylene plastic molding.

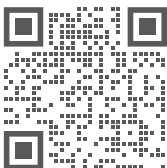


EN1433 Load Class E
134,885 lbs – 2,785 psi

ACO, Inc.

© January 2026 ACO, Inc.

All reasonable care has been taken in compiling the information in this document. All recommendations and suggestions on the use of ACO products are made without guarantee since the conditions of use are beyond the control of the company. It is the customer's responsibility to ensure that each product is fit for its intended purpose and that the actual conditions of use are suitable. ACO, Inc. reserves the right to change products and specifications without notice.



info@acousa.com
www.acousa.com

